

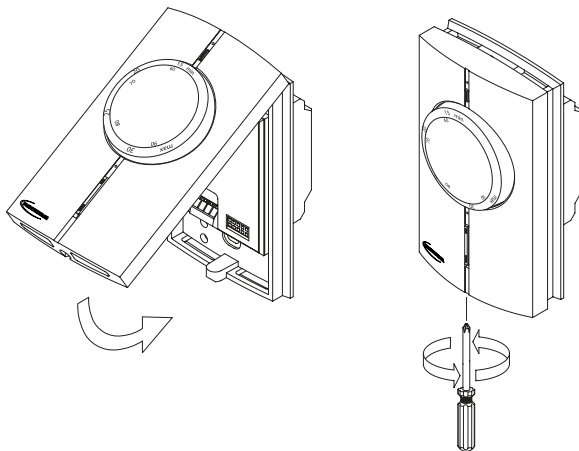
The FLK11 non programmable thermostat is specially designed for floor heating systems.

Your new electronic thermostat is equipped with a microprocessor and proportional integral adaptive (PIA) temperature control technology for total comfort.

This thermostat is equipped with an On/Off switch to turn it off when its use is not required (e.g. summer).

### INSTALLATION OF THE CONTROL MODULE

Align the bracket tabs on the control module with the holes located on top of the previously installed power base and secure the module to the base.

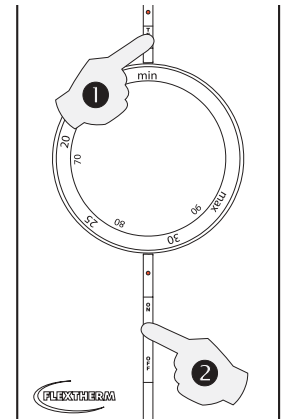


**NOTE:** Keep the thermostat's air vents clean and free from obstructions.

### GROUND FAULT CIRCUIT INTERRUPTION (GFCI) TEST

**!** The GFCI monitors the electrical flow for any loss of current; if there is a loss, the thermostat will cut off power to the heating system. The GFCI must be tested upon installation, and once a month thereafter to ensure it is operating properly.

- 1 Press TEST:**
  - Successful: the TEST warning light is ON and power to the floor heating system is cut off.
  - Unsuccessful: the TEST warning light is OFF. Cut power to the floor heating system from the main power panel and call customer service.
- 2** When successful, reset the thermostat (OFF/ON) to reset the GFCI circuit.



**!** **WARNING:** If the test warning light comes ON during normal operation, cut power to heating system from the main power panel and have an electrician verify the installation.

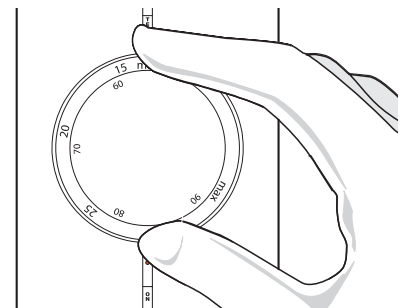
### CONFIGURATION OF THE SETPOINT

To adjust the setpoint, turn the dial to the desired temperature.

The minimum setpoint (min) is 45°F (7°C).

The maximum setpoint (max) is 95°F (35°C).

Temperature range:  
45°F, from 60°F to 95°F.



### ECONO INPUT SIGNAL

The FLK11 thermostat is equipped with an Econo input (dry contact) which allows connection of a telephone controller (optional CT240/CT241) or any other remote control system.

Refer to the power base installation instructions for Econo input wiring.

When a signal is received through this input, the thermostat automatically lowers the setpoint by 6.3°F (3.5°C) and returns to the normal setpoint when the signal is removed.

## TEMPERATURE CONTROL

The FLK11 thermostat works differently than conventional electromechanical thermostats.

It is equipped with a proportional integral adaptive (P.I.A.) controller which determines heating cycles by analyzing the temperature behavior history within the room.

The P.I.A. controller reduces temperature swings providing an accurate temperature control while increasing user comfort.

The controller determines the amount of power required by the heating system to maintain the setpoint temperature.

## TECHNICAL SPECIFICATIONS

**Model:** FLK11

**Temperature range:** 45°F (min), from 60°F to 95°F (max)  
7°C (min), from 15°C to 35°C (max)

**Accuracy:** ± 0.5°C (0.9°F)

**Storage:** -20°C to 50°C (-4°F to 120°F)

**Temperature control:** Proportional integral adaptive (P.I.A.)  
15-minute heating cycles.

## WARRANTY

### FLEXTHERM LIMITED WARRANTY

Flextherm Canada Inc. (hereinafter "FLEXTHERM") warrants to the purchaser that the FLEXTHERM ELECTRONIC DIAL THERMOSTAT (hereinafter the "Product") and once installed in conformity with the instructions of FLEXTHERM, shall be free of defects, in either materials or workmanship as described in this document.

**COVERAGE PERIOD:** This Limited Warranty becomes effective on the date of the original purchase of the Product as supplied by FLEXTHERM and shall remain effective for a period of one (1) year [twelve (12) consecutive months] from such date. This Limited Warranty is valid for products purchased and installed in Canada only.

**CONDITIONS:** This Limited Warranty is only applicable to new and unused Products purchased from FLEXTHERM, or its authorized resellers, provided the Installation Requirements contained herein are met. Claims made for coverage under this Limited Warranty must be addressed in writing, within seventy-two (72) hours from an event giving rise to a claim, or the appearance of a defect, to: Flextherm Canada Inc. 1-800-353-9843. Any parts replaced under the terms of this Limited Warranty become the property of FLEXTHERM. Persons making claims for coverage must present FLEXTHERM with proof of purchase as well as any documents FLEXTHERM may require.

**WHAT FLEXTHERM WILL/WILL NOT DO:** FLEXTHERM's obligations under this Limited Warranty are limited to, at its sole discretion, repairing or replacing the thermostat originally supplied in the Product that FLEXTHERM has determined to be defective in materials or workmanship. FLEXTHERM shall replace the defective thermostat goods free of charge "ex works" after the originals have been returned to us postage/freight prepaid. Replacement will only be made for defective parts; and no allowance or reimbursement shall be made for wages, labour and freight costs. With respect to the parts not manufactured by ourselves, we shall only warrant for these to the same extent as our suppliers undertake a warranty obligation towards ourselves.

Because of its ongoing commitment to product quality and innovation, FLEXTHERM reserves the rights, at any time and without incurring any obligations, to revise, change, modify or discontinue any specifications, features, designs or components.

**INSTALLATION REQUIREMENTS:** In addition to the requirements included in the current FLEXTHERM Installation Guide, which is incorporated herein by this reference, the Product must be installed in accordance with accepted standards.



**WARNING:** Failure to install the Product in conformity with your local electrical Codes, as well as the Installation Guide, may cause fires. Failure to install the Product according to the directives in the installation guide may damage the cables/wiring and lead to Product failures, which are not covered under the Limited Warranty.

**EXCLUSIONS, ARE NOT WARRANTED:** Failures resulting from improper installation; Damage caused by abuse, improper installation, repairs, service, maintenance and/or storage, modifications or use of parts not manufactured or supplied by FLEXTHERM; Damage caused by abuse or neglect; regarding the Product; Damage caused by water, submersion, accident, fire or any act of God; Incidental, consequential or other damages (including labor costs, towing, inconvenience, loss of time or loss of income).

### LIMITATIONS OF LIABILITY:

THIS WARRANTY IS EXPRESSEDLY GIVEN AND ACCEPTED IN LIEU ANY AND ALL OTHER WARRANTIES, EXPRESSED OR IMPLIED, INCLUDING WITHOUT ANY LIMITATION ANY WARRANTY OF MERCHANTABILITY OR FITNESS OR A PARTICULAR PURPOSE. TO THE EXTENT THAT THEY CANNOT BE DISCLAIMED, THE IMPLIED WARRANTIES ARE LIMITED IN DURATION TO THE LIFE OF THE EXPRESSED LIMITED WARRANTY. INCIDENTAL AND CONSEQUENTIAL DAMAGES ARE EXCLUDED FROM COVERAGE UNDER THIS LIMITED WARRANTY. SOME PROVINCES DO NOT ALLOW FOR THE DISCLAIMERS, LIMITATIONS AND EXCLUSIONS IDENTIFIED ABOVE; AS A RESULT, THEY MAY NOT APPLY TO YOU. THIS WARRANTY GIVES YOU SPECIFIC RIGHTS WHICH MAY VARY FROM PROVINCE TO PROVINCE.

Neither FLEXTHERM re-sellers, installers or any other person is entitled or authorized to make any affirmation, representation or warranty other than those contained in this Limited Warranty. If the ownership of the Product is transferred during the Limited Warranty Coverage period, the terms and conditions of the Limited Warranty shall apply to the new owner, provided the new owner has proof, satisfactory to FLEXTHERM, of the date of first purchase of the Product.

### FLEXTHERM Canada Inc.

2400 de la Province Street  
Longueuil, Quebec J4G 1G1 Canada



1 800 FLEXTHERM (353-9843)  
(450) 442-9990



1 877 FLEXTHERM (353-9843)  
(450) 442-1099



info@flextherm.com



www.flextherm.com